

Swidget™ Split 15A Duplex Receptacle

The Swidget Split 15A Receptacle is a duplex 125VAC 15Amp modular Smart Home enabled device (NEMA 5-15R compliant). The modularity allows a multitude of different functional Swidgets to be installed, creating unique new Smart Home functionalities. The modularity of the device allows for easy after-market installation of a Swidget Insert that can enable the wireless control and independent power monitoring of the receptacle, in addition to providing other sought-after functions like sensors, speakers or lighting.

FEATURES

- Universal compatibility – user replaceable Swidget modules allow this to work with all wireless platforms, now or in the future.
- Split 15A configuration for maximum power capability.
- Independent direct power monitoring for each of the two (2) receptacles.
- Plug and play Swidget Inserts feature a wide range of device options spanning smart home and stand-alone applications that no other Smart Home platform can offer.
- Future proof – with the removable Swidget Inserts you can upgrade, move, and reconfigure without rewiring.
- User-safe, employing a certified Class 2 power output for the Swidget cavity.

DESCRIPTION

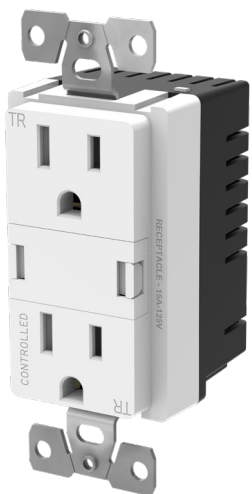
The Swidget product line has been developed to support the easy integration of Home Automation and Smart Home markets with unique and flexible solutions. The Split 15 Receptacle has the ability to allow interchangeable Swidget Inserts to be installed, removed or replaced - making Swidget the optimal choice for building renovations and new construction. The Swidget Split 15 Receptacle uses a simple interface, making installation easy. Installation of any of the Swidget Inserts turns the wired device into a powerful and flexible Smart Home device. The interchangeability of the Swidget Inserts ensure that the system can work with any existing or future Smart Home wireless system.

SPECIFICATIONS

Product Number	RS015SWA (W=white)
Input Power Rating	2 x 125VAC, 15A
Outlet Receptacle Configuration	NEMA 5-15R
Resistive Load Rating:	1800W (per receptacle)
Motor Load Rating:	0.5HP (per receptacle)
Inductive Load Rating:	8A@125VAC (PF 0.4) (per receptacle)
Relay Mechanical Endurance Rating	1,000,000 cycles (or 274 years @ 10 cycles per day)
Wiring Type	Pre-stripped wire leads (Line1/Line2/Neutral) #14 AWG (Stranded), Gnd screw
Testing and Code Compliance	UL498 / UL1310, CSA C22.2 #42, #223 (Canada and US) – Dec 2019
Flammability	UL94 5VA
Environmental	Indoor installation only
Operating Temperature	14F to 104F (-10C to 40C)
Insert Voltage Output	Nominal 5VDC (+/- 5%)

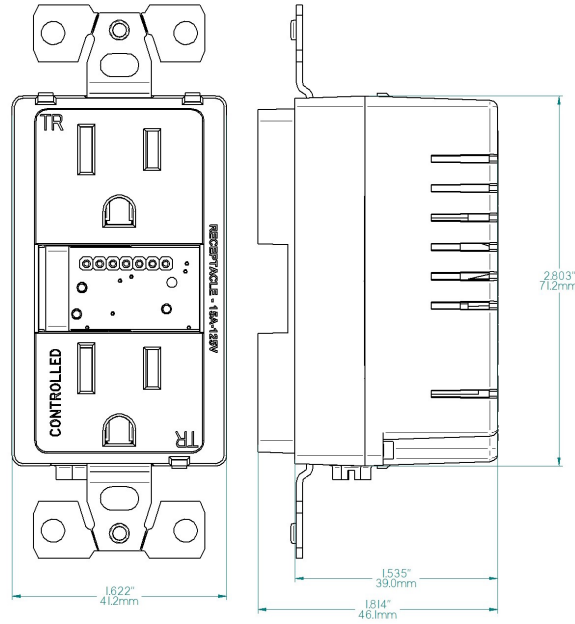


15A, 125VAC
5VDC, 2.0A
NEMA 5-15R

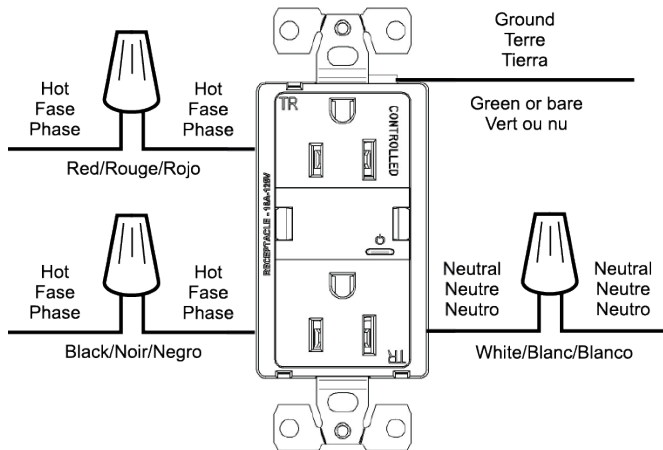


Insert DC Protection	CLASS 2 - Current limiting and thermal shutdown protection
Insert Current Outlet	Constant current maximum 2.0A

DIMENSIONS



WIRING DIAGRAM



REVISION HISTORY

Revision Number	Date	Comment
000	2019/09/14	Initial release

SALES

Corporate Office
6 677 Innovation Drive
Kingston, ON K7K 7E6
<http://www.swidget.com>