

Swidget™ Configurable Receptacle

The Swidget Configurable Receptacle is a duplex 125VAC 15Amp modular Smart Home enabled device (NEMA 5-15R compliant). The modularity of the device allows for easy after-market installation of a Swidget Insert that can enable the wireless control and independent power monitoring of the receptacle, in addition to providing other sought-after functions like sensors, speakers or lighting.



15A, 125VAC
5VDC, 2.0A
NEMA 5-15R



FEATURES

- Universal compatibility – user replaceable Swidget Inserts allow this to work with all wireless platforms, now or in the future.
- Independent direct power monitoring for each of the 2 receptacles.
- Future proof – with the removable Swidget Inserts you can upgrade, move, reconfigure receptacles without any re-wiring.
- Plug and play Swidget Inserts feature a wide range of function options spanning smart home and stand-alone applications that no other Smarthome platform can accomplish.
- User-safe, employing Tamper Resistant outlets and a certified Class 2 power output for the Swidget cavity.

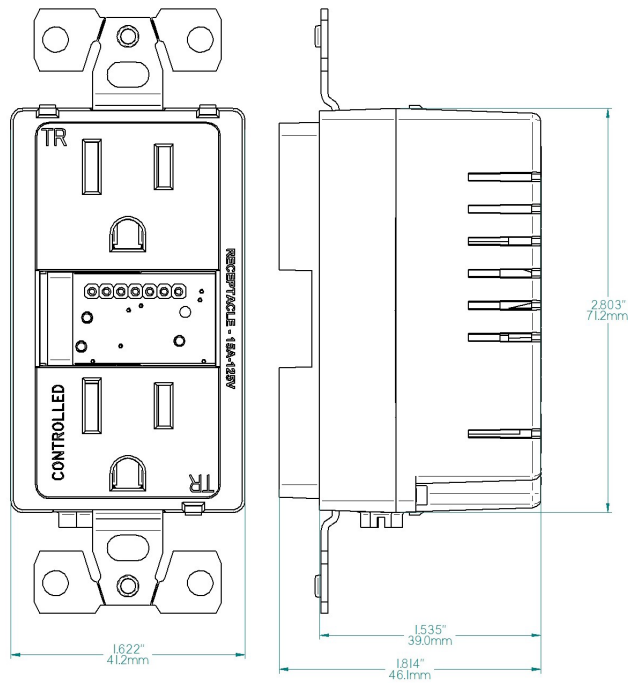
DESCRIPTION

The Swidget product line has been developed to support the easy integration of Home Automation and Smart Home markets with unique and flexible solutions. The 15Amp Receptacle has the ability to allow interchangeable Swidget Inserts to be installed, removed or replaced - making Swidget the optimal choice for building renovations and new construction. The Swidget 15Amp Receptacle uses a simple interface, making installation easy. Adding a Swidget Insert turns the wired device into a powerful and flexible Smart Home device. The interchangeability of the Swidget Inserts ensure that the system can work with any existing or future Smart Home wireless system.

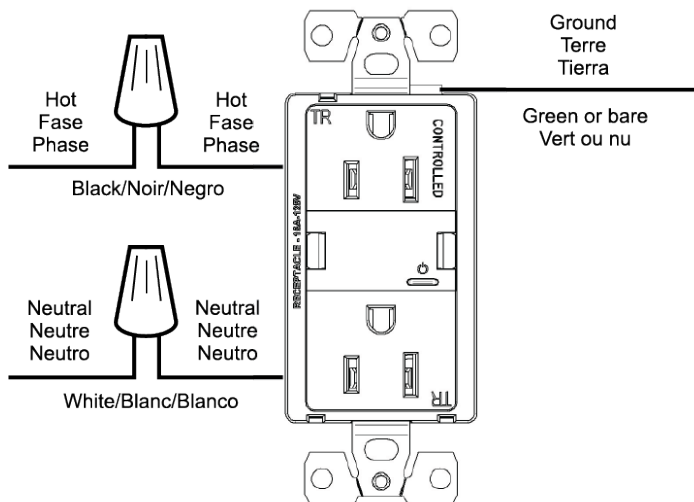
SPECIFICATIONS

Product Number	R1015SWA (W=white)
Input Power Rating	125VAC, 15A
Outlet Receptacle Configuration	NEMA 5-15R
Resistive Load Rating: Motor Load Rating: Inductive Load Rating:	1800W 0.5HP 8A@125VAC (PF 0.4)
Relay Mechanical Endurance Rating	1,000,000 cycles (or 274 years @ 10 cycles per day)
Wiring Type	Pre-stripped wire leads (Line/Neutral) #14 AWG (Stranded), Ground screw
Testing and Code Compliance	UL498 / UL1310, CSA C22.2 #42, #223 (Canada and US)
Flammability	UL94 5VA
Environmental	Indoor installation only
Operating Temperature	14F to 104F (-10C to 40C)
Insert Voltage Output	Nominal 5VDC (+/- 5%)
Insert DC Protection	CLASS 2 - Current limiting and thermal shutdown protection
Insert Current Outlet	Constant current maximum 2.0A

DIMENSIONS



WIRING DIAGRAM



REVISION HISTORY

SALES

Corporate Office
6-677 Innovation Drive
Kingston, ON K7K 7E6
<https://www.swidget.com>

Revision Number	Date	Comment
000	2017/07/17	Initial release
001	2019/09/14	Post certification updates